

AUTOMATIC L-TYPE SUCTION CUP CARTON ERECTOR ESHT22 FOOTPRINT

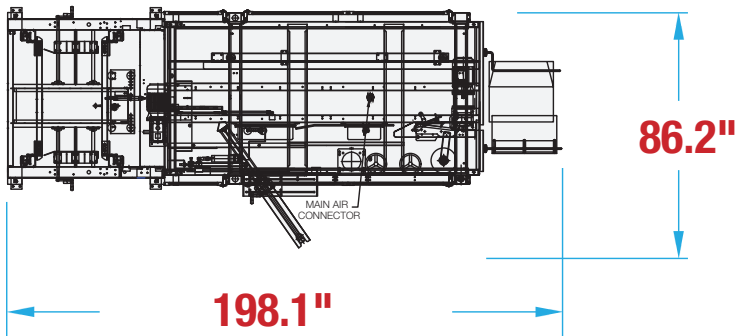


**WANT TO KNOW MORE
ABOUT THIS MACHINE?**

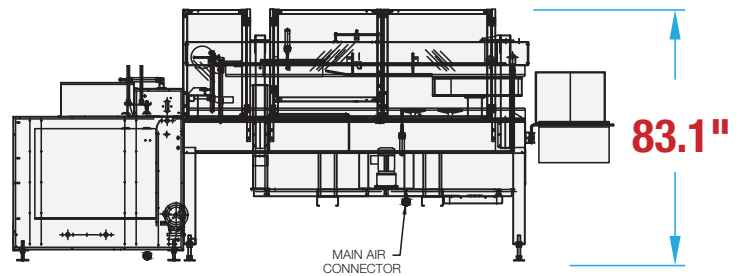
SCAN HERE TO LEARN MORE ABOUT THIS MACHINE

MACHINE MEASUREMENTS: 198.1" X 86.2" X 83.1"
LENGTH WIDTH HEIGHT

TOP VIEW



SIDE VIEW



Note: Dimensions are all subject to change without prior notification. Call BestPack for pricing.