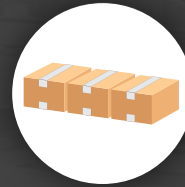


MSDBF22 FOOTPRINT

MANUAL SIDEDRIVE DUAL MAST FLAP FOLDER



OPERATOR REQUIRED



UNIFORM CARTONS

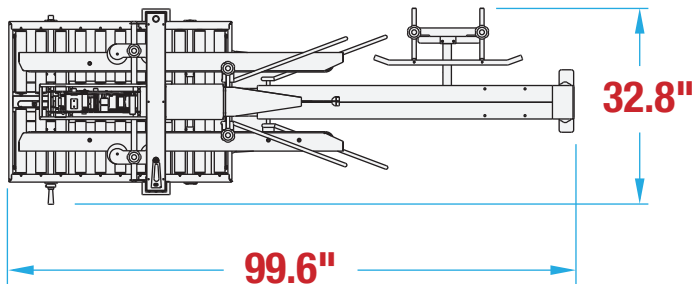


TOP & BOTTOM SEAL

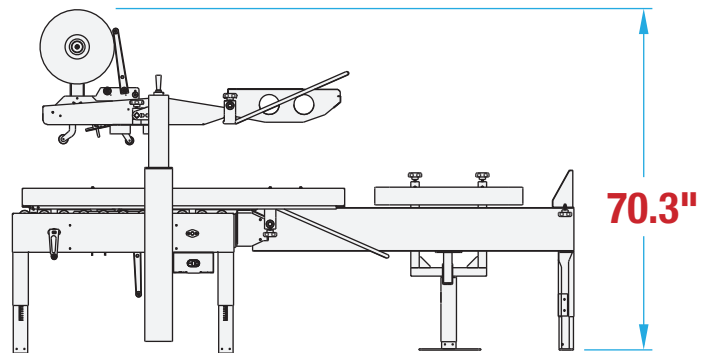
MACHINE MEASUREMENTS

99.6" X 32.8" X 70.3"
 LENGTH WIDTH HEIGHT

TOP VIEW



SIDE VIEW



Note: Dimensions are all subject to change without prior notification. Call BestPack for pricing.