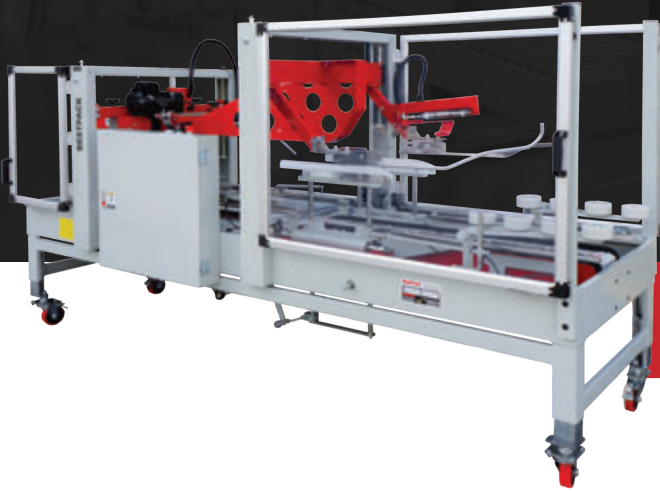


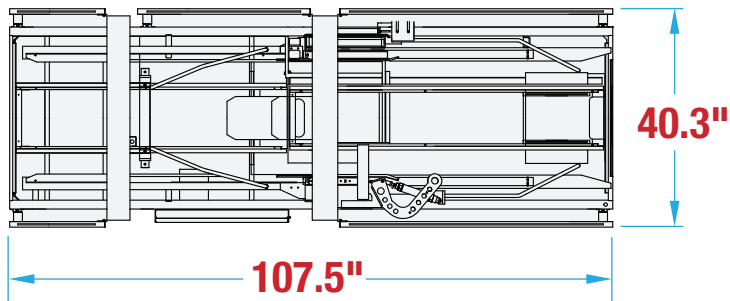
# AUTOMATIC FRUIT BOX CARTON SEALER ATFXU22 FOOTPRINT



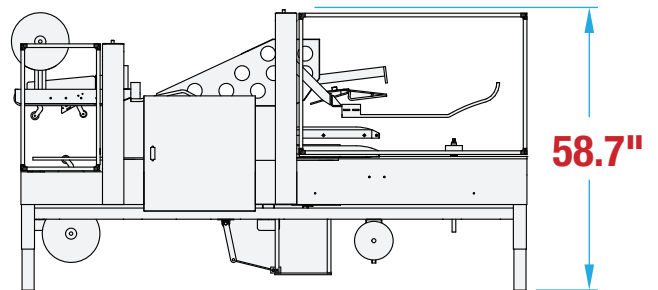
**WANT TO KNOW MORE  
ABOUT THIS MACHINE?**  
SCAN HERE TO LEARN MORE ABOUT THIS MACHINE

**MACHINE MEASUREMENTS:** 107.5" x 40.3" x 58.7"  
LENGTH WIDTH HEIGHT

**TOP VIEW**



**SIDE VIEW**



Note: Dimensions are all subject to change without prior notification. Call BestPack for pricing.