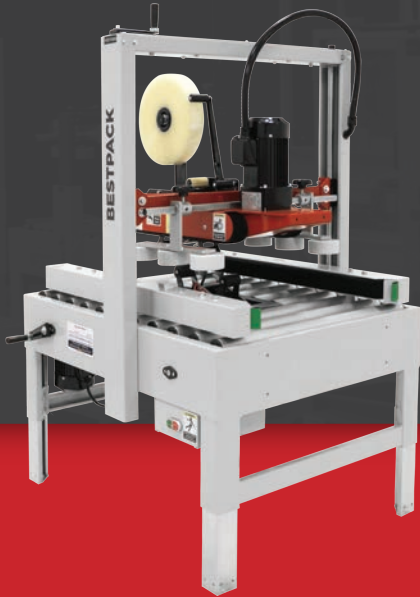
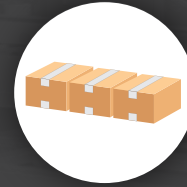


MQ22 FOOTPRINT

MANUAL QUAD DRIVE CARTON SEALER



OPERATOR REQUIRED



UNIFORM CARTONS

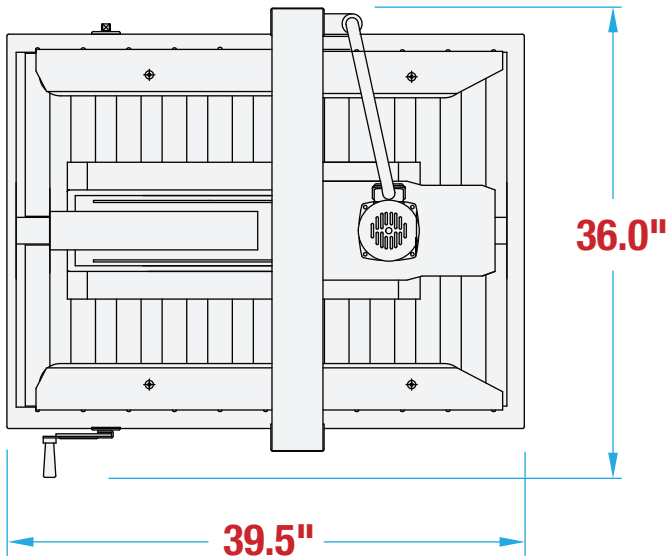


TOP & BOTTOM SEAL

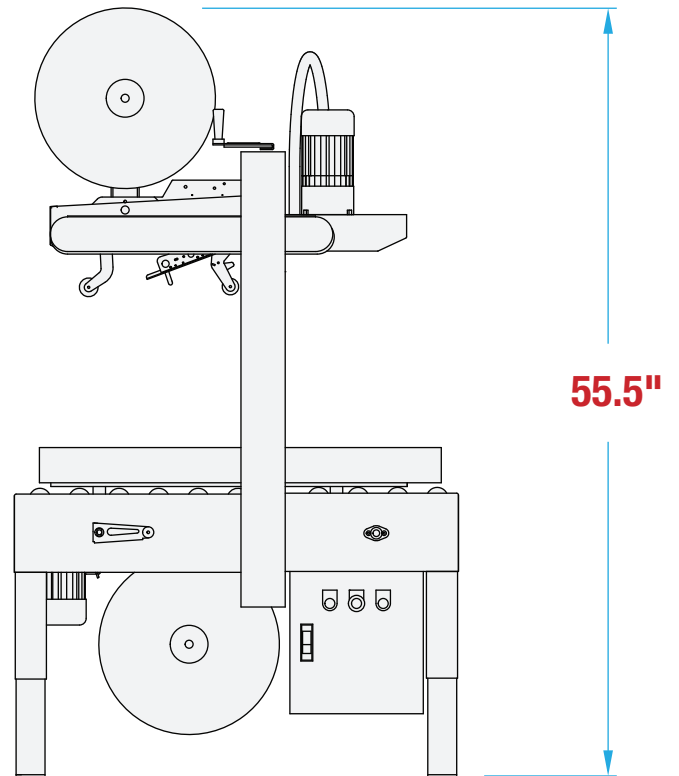
MACHINE MEASUREMENTS

39.5" X 36.0" X 55.5"
LENGTH WIDTH HEIGHT

TOP VIEW



SIDE VIEW



Note: Dimensions are all subject to change without prior notification. Call BestPack for pricing.