



# MANUAL SIDEDRIVE 2 BOTTOM & 2 TOP CARTON SEALER MS2B2T23-2 FOOTPRINT



**WANT TO KNOW MORE  
ABOUT THIS MACHINE?**  
SCAN HERE TO LEARN MORE ABOUT THIS MACHINE

**MACHINE  
MEASUREMENTS:**

39.4"  
LENGTH

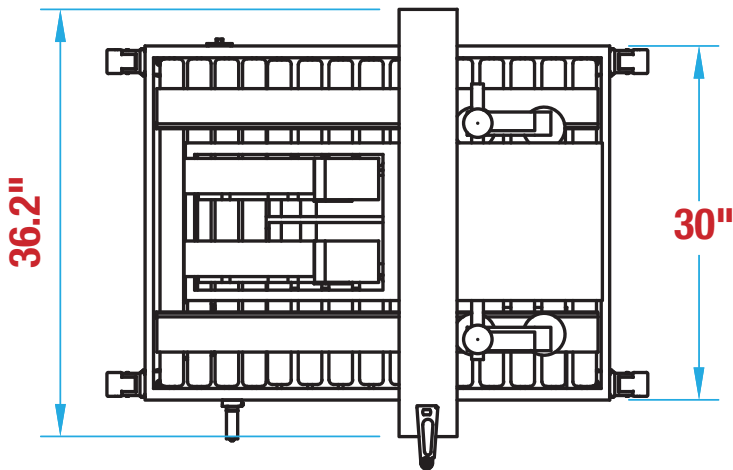
X

36.2"  
WIDTH

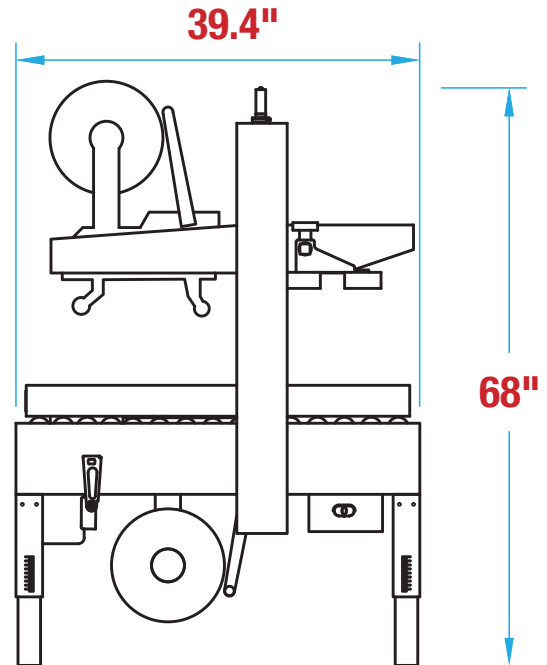
X

68.0"  
HEIGHT

**TOP VIEW**



**SIDE VIEW**



Note: Dimensions are all subject to change without prior notification. Call BestPack for pricing.